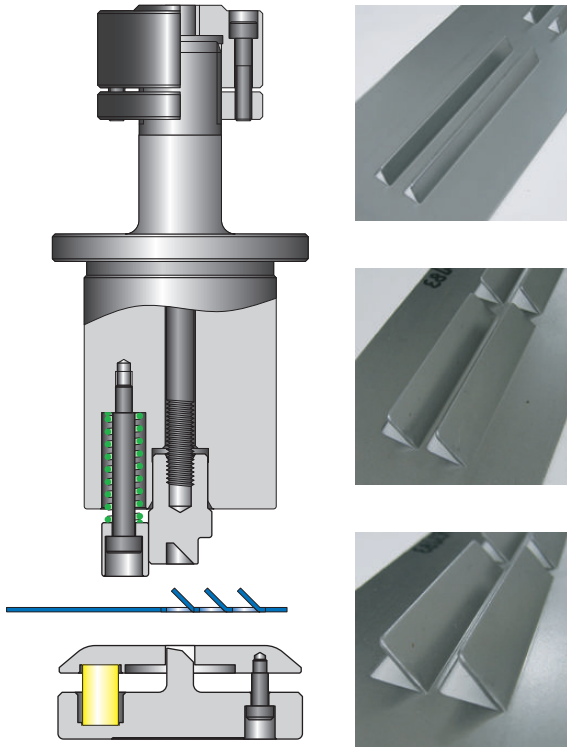
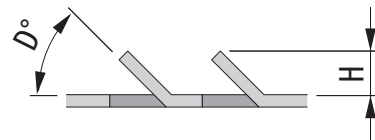
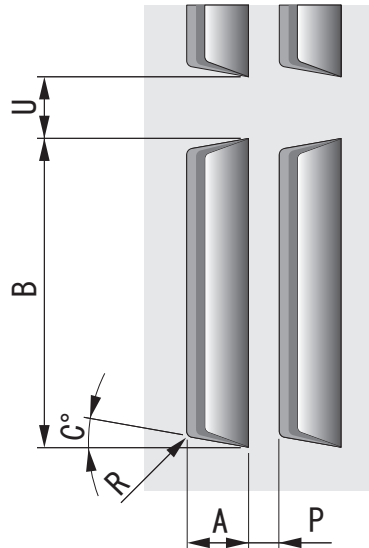


LANCE FOR AIR FLOW

FORMING UP



FORMING UP



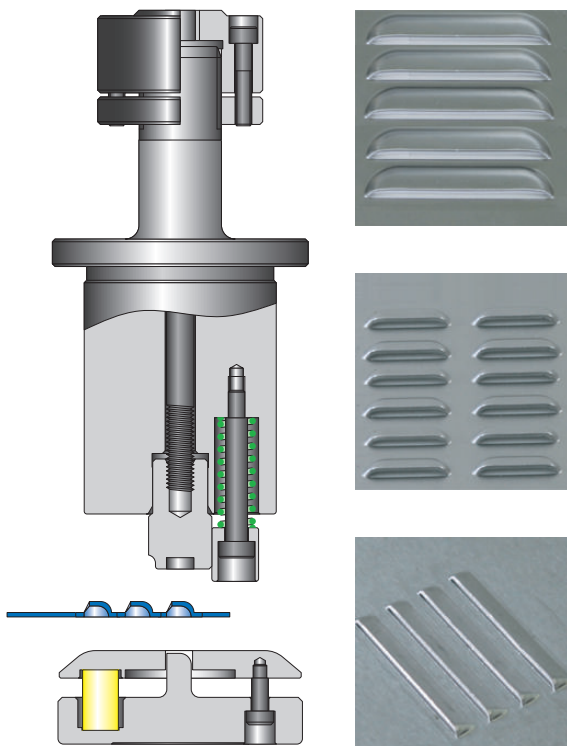
← ② ← ① Order of punching

Forming process of lance to create an opening.

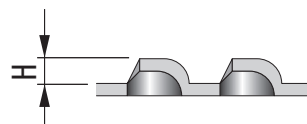
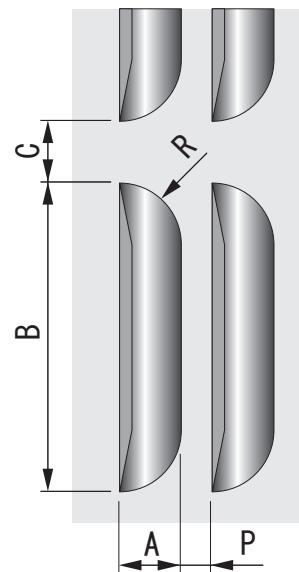
Used to provide air flow or ventilation.

LOUVER FOR AIR FLOW

FORMING UP



FORMING UP



Order of punching ① → ② →

Forming process of lance to create an opening.

Used to provide air flow or ventilation.