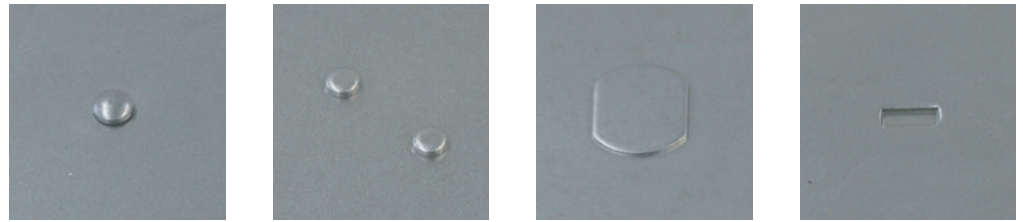
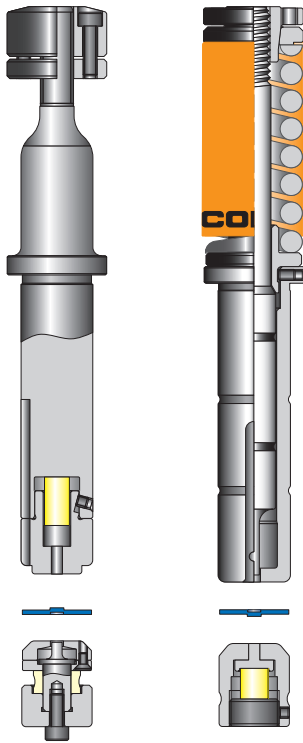


HALF SHEAR

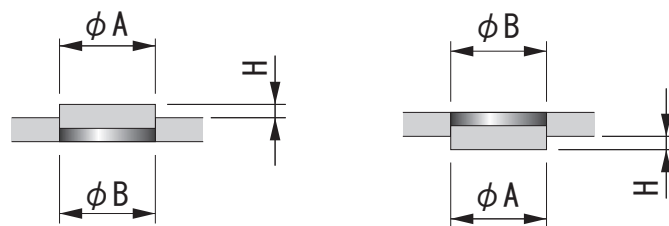
FORMING UP

FORMING DOWN



FORMING UP

FORMING DOWN

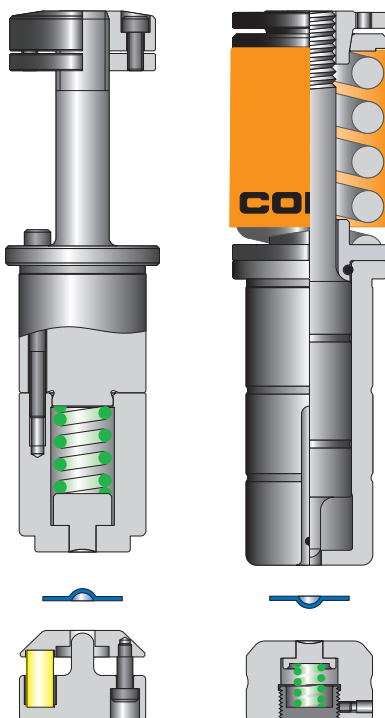


Forming process of pierce half of material thickness.
Used for locator or stopper.

EMBOSS (DIMPLE)

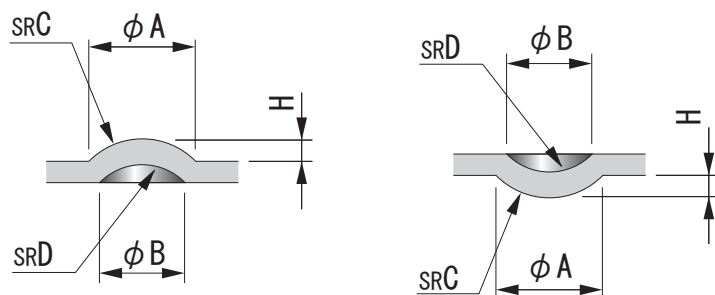
FORMING UP

FORMING DOWN



FORMING UP

FORMING DOWN



Forming process of embossing material like dimple.
Used for locator or decorative pattern of the material.