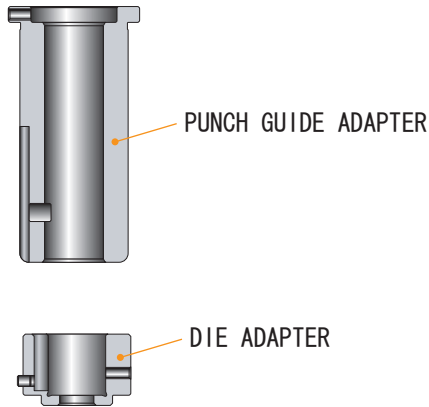
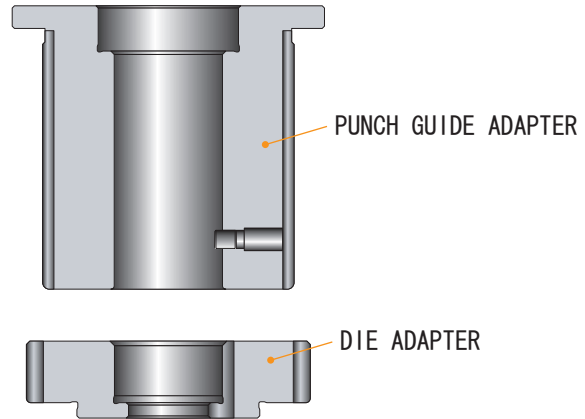


ADAPTERS

1-1/4"(B) To 1/2"(A) Station Adapter



3-1/2"(D) To 1-1/4"(B) Station Adapter



PUNCH SHIM , DIE SHIM

1/2"(A)

1-1/4"(B)

2"(C)

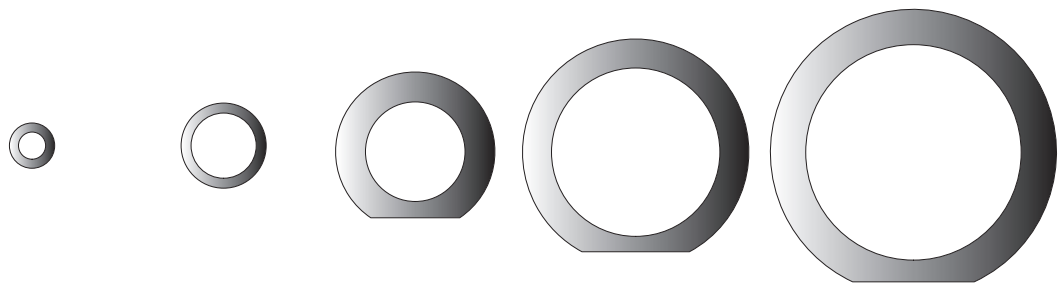
3-1/2"(D)

4-1/2"(E)

PUNCH SHIM



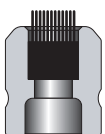
DIE SHIM



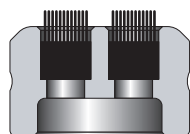
BRUSH DIE

Placing these "Brush Die" into the vacant stations to avoid the damage of sheet metal.

1/2"(A)



1-1/4"(B)



2"(C)

