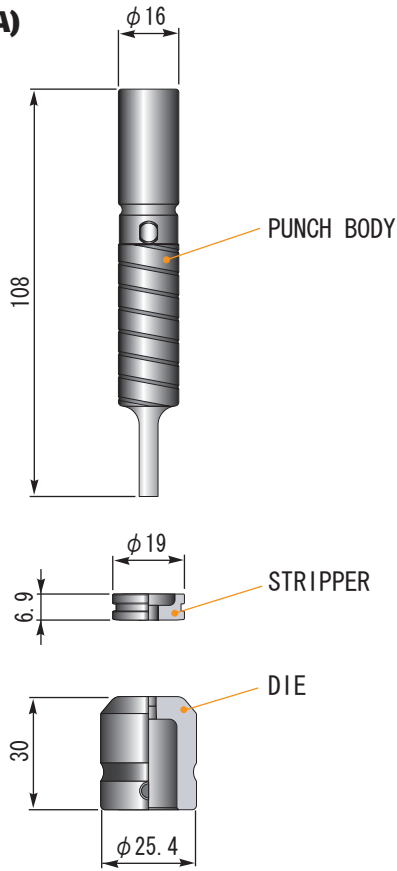


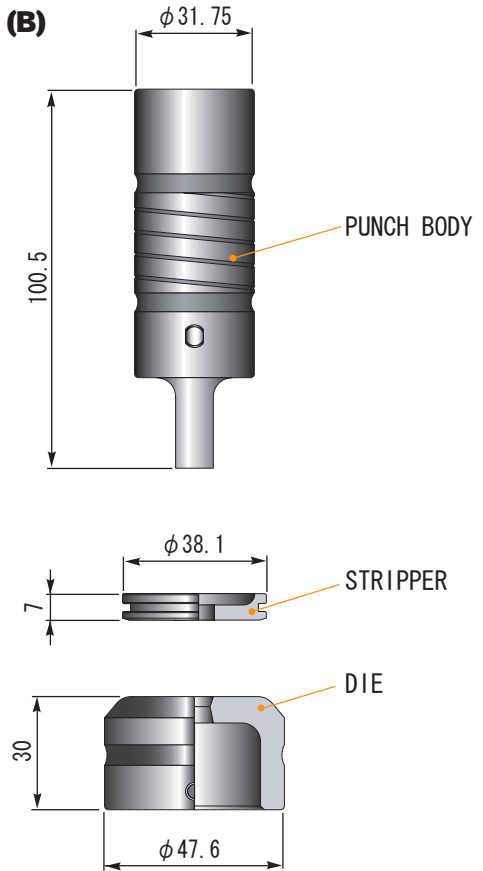
UT-Type / HP-Type TOOLING

■ **UT-Type Tooling** - Compatible with MATE Ultra Tec type tooling

■ **1/2" (A)**

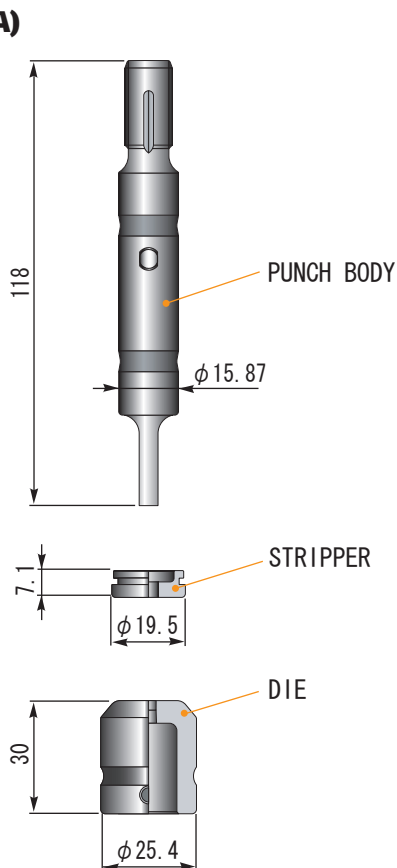


■ **1-1/4" (B)**



■ **HP-Type Tooling** - Compatible with Wilson Tool HP type tooling

■ **1/2" (A)**



■ **1-1/4" (B)**

